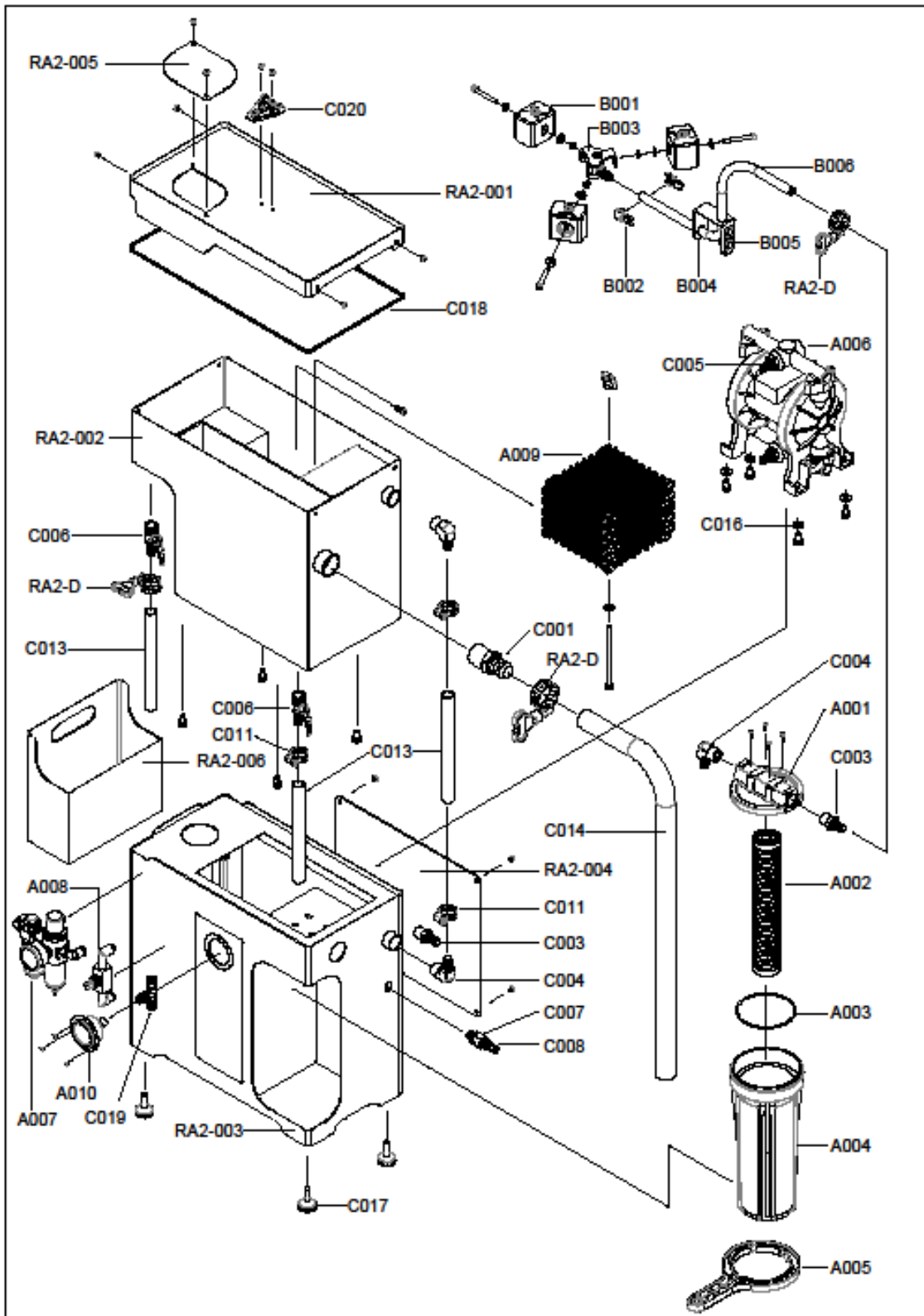


## Ultra 360- Spare Parts List-1

Part #	Description	Qty	Price ea	Notes
A002	40 micron filter element	1	\$36.00	
A003	Filter Canister O –Ring	1	\$9.00	
A005	Filter Wrench	1	\$18.00	
B1,2,3,4	Float Assembly	1	\$50.00	Does not include magnet or hose
B005	Magnet (for Float assy)	1	\$18.00	
B006	Float tube inlet hose -8*12	1	\$10.00	Price is per meter of length
C011	Hose clamp-3/4	1	\$5.00	
C012	Hose Clamp- 1 1/4	1	\$5.00	
C017	Adjustable leveling support leg	1	\$4.00	unit uses 4 leveling feet

# Ultra 360- Part List-2(B.O.M)



# Part List-3(B.O.M)

